

FLAP POSITION INDICATOR

(For installations with ambient temperatures from -40°C to 70°C)

Installation:

- Observe the relevant national laws and regulations.
- Avoid electrostatic charges on plastic units and cables.
- Protect the device and the cable from damage.
- Equipotential bonding of the metal sheath parts must be ensured by suitable mounting
- If installed in an explosion zone, it must be connected via a safe circuit (eg intrinsically safe relay)
- Interconnection in the box installed on the outer shell of the flap



Product properties:

Inductive Sensor, Metal Thread, M8 x 1, Connected to Proven, Secured Current Circuit, Highest Value $U_i = 20\text{ V} / I = 50\text{ mA} / P = 120\text{ mW}$, ATEX certificate, Group II, category 1D / 1G, Cable design, Switching distance 1,5 mm [b].

ELECTRICAL DATA

Electrical connection	Connection to the proven, secured circuit with the highest value $U = 20\text{ V} / I = 60\text{ mA} / P = 130\text{ mW}$
Rated voltage $\square\text{V}\square$	8,2 DC (1Ω)
Connection voltage $\square\text{V}\square$	8,2 ... 20 DC
Current consumption $\square\text{mA}\square$	Inactive $\square 2,1\text{mA}$ / active $\square 1,2\text{ mA}$
Cover class	IP67

OUTPUTS

Output functions	Switch (NAMUR)
Current carrying capacity $\square\text{mA}\square$	< 60 mA
Switching frequency $\square\text{Hz}\square$	5000

RESEARCH AREA

Switching distance $\square\text{mm}\square$	1,5
Real switching distance (Sr) $\square\text{mm}\square$	$1,5 \pm 2\%$



ACCURACY / DEVIATIONS

Correction factors	steel (St37) = 1; Al = 0,3; stainless steel = 0,7; Ms = 0,4
Hysteresis □% ze Sr□	1 ... 10
Deviation of switch point □% ze Sr□	10

AMBIENT CONDITIONS

Ambient temperature □°C□	-40 ... 70
Cover	IP 67

APPROVAL / TESTS

Certificate	KEMA 02 ATEX 1090X
Device designation	 II 1G Ex ia IIC T6 Ga  II 1D Ex ia IIIC T95° C Da
Impact resistance / vibrations	30 g (11 ms) / 55 Hz (1 mm)
MTTF □years□	6198

SAFETY RATED VALUES

Own capacity □ nF □	< 150
Own inductivity □ μH □	< 150

MECHANICAL DATA

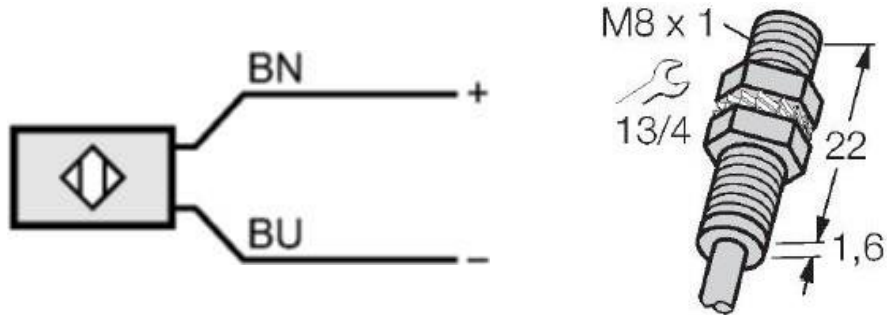
The way of installation	Coupling installation
Housing material	Stainless steel, surface active. PA12-GF20
Weight □kg□	0,092
Maximum torque □Nm□	5

ELECTRICAL CONNECTION

Connection	Ø 3 mm, Lif12Y33Y, TPE, 3m (blue)
------------	-----------------------------------

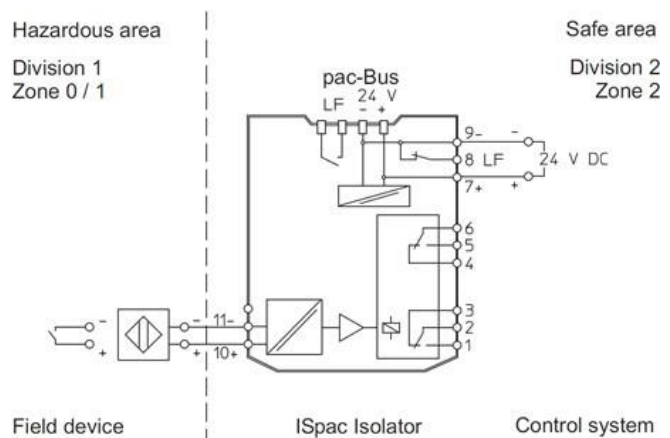
CONNECTION OF CONTACTS

Color of wires:	BN brown BU blue
-----------------	------------------------



- | | |
|-------------------|--|
| 11-11- 24V
11 | 1 - channel, relay output (signal)
3G/3D* |
| 21-11- 24V
11 | 2 - channel, relay output
(signal) 3G/3D* |
| 21-10- 24V
11 | 2 - channel, relay output
(signal) 3G/3D* |
| 11-11- 230V
21 | 1 - channel, relay output
(signal) |
| 21-11- 230V
21 | 2 - channel, relay output
(signal) |
| 21-10- 230V
21 | 2 - channel, relay output
(signal) |
| 11-12- 24V
11 | 1 - channel, relay output
(power) |
| 21-12- 24V
11 | 2 - channel, relay output
(power) |
| 11-12- 230V
21 | 1 - channel, electronic |
| 21-12- 230V
21 | 2 - channel, electronic |
| 11-14- 24V
11 | 1 - channel, electronic 3G/3D* |
| 21-14- 24V
11 | 2 - channel, electronic 3G/3D* |
| 11-14- 24V
12 | 1 - channel, electronic LFT
3G/3D* |
| 21-14- 24V
12 | 2 - channel, electronic LFT
3G/3D* |

Intrinsically safe relay



Connection box

